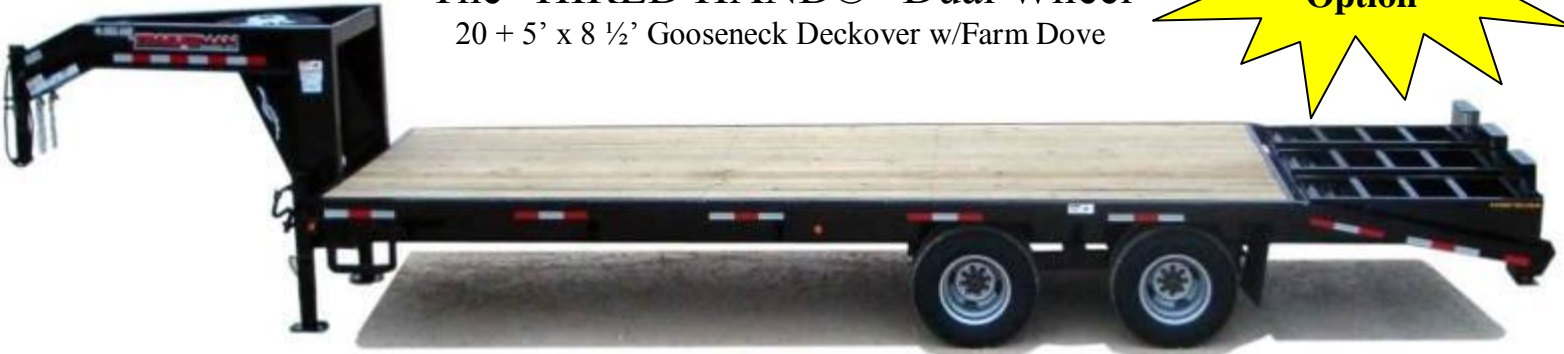


Model# HHG8205F20
 The "HIRED HAND®" Dual Wheel
 20 + 5' x 8 ½' Gooseneck Deckover w/Farm Dove

**Pierced Frame
 Option**



EQUIPMENT DOVE



Transport position (shown w/optional 3rd ramp)



Loading position (shown w/optional 3rd ramp)

FARM DOVE



Transport position



Loading position

RANCH DOVE



Transport position



Loading position

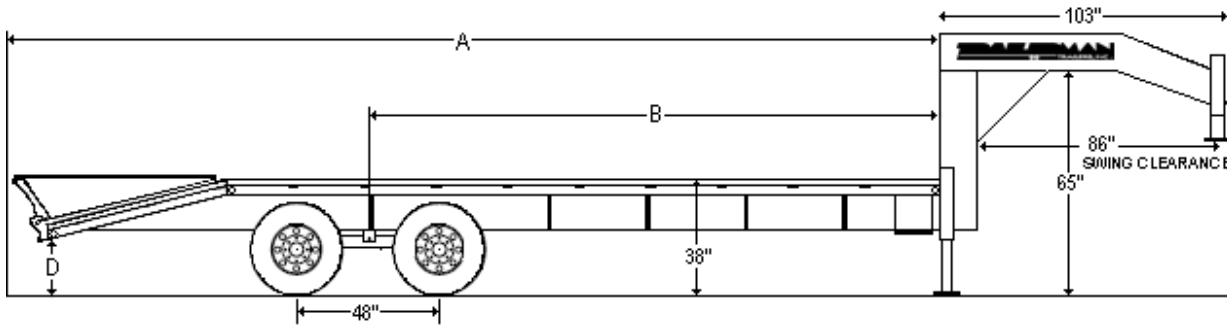


The “HIRED HAND®” Dual Wheel 20 + 5' x 8 ½' Gooseneck Deckover w/Farm Dove

- | | | |
|---|---|-----------------------------|
| (2) 10K GD Elec. Axles; Oil Bath | Break-A-Way Kit | Treated 2” Wood Floor |
| ST235-80R-16” 10-PR Tires on Dual Wheels | Assist Step w/Handle | Spare Tire/Wheel Mtd. |
| 2 5/16” Adj. Coupler | L.E.D. Rubber Mounted Waterproof Lights | Lockable Tool Box b/t Jacks |
| (2) Dual Pin S.L. Dropleg Jacks (24K) | 5’ Farm Dove | Mud Flaps |
| (3)5’ Level Bed Double Swivel Spg Asstd Ramps | Stake Pockets on 16”&Rub Rail 2”x5/16” | Protected Wiring Harness |

(Ship Wt.:6,250# GAWR: 20,000# GVWR: 20,000)

MAINFRAME & NECK: 12” 19# per foot I-Beam **CROSS MEMBERS:** 3” Channel on 16” Centers



Measurements <i>when equipped with 5' dove tail</i>		
Length	A	B
16	192	120
18	216	136
20	240	151
22	264	166
24	288	182
25	300	188
26	312	197
28	336	212
30	360	226
32	384	242
34	408	257
36	432	272
38	456	287
40	480	302
42	504	317
44	528	332

All measurements are approximate

DOVE TAIL OPTIONS		
D	Dove Tail	Description
16”	F arm	3 Spg Asstd 5’ Level Bed Ramps w/Hay Blocks
16”	R anch	2 Spg Asstd 5’ Level Bed Ramps and Pop-Up Center Piece w/Hay Blocks
13”	E quipment *	2 Spg Asstd 5’ Level Bed: Ramps (3 rd Ramp Optional)
21”	N one	Flat Deck has No Dove Tail and No Ramps

*Designed for Heavier or Track Equipment

HIRED HAND® OPTIONS	
Additional Footage up to 34’	Receiver Hitch on Back
Additional Footage 35’ – 44’; includes Torque Tube	Light Plug on Back
Tongue Pull with Pintle Eye or 2 5/16” Coupler	8’ x 6’ Deck-Over-Neck
12,000# Elec Axles	Underbody Lockable Tool Box; 18 x 18 x 24”
Electric-Over-Hydraulic Brakes	Underbody Lockable Tool Box; 18 x 18 x 30”
Mesh In Neck or Tongue	Underbody Lockable Tool Box; 18 x 18 x 36”
Peirced Frame for Lower Profile	Twin 2-Speed Jacks
Winch Plate	2” Rough Cut Oak Floor
1/8” Diamond Plate Steel Floor	Standard Colors: Black, Red, Gray (Other Colors Optional)

VISIT OUR WEBSITE TO FIND AN AUTHORIZED TRAILERMAN® DEALER: www.trailermandtrailers.net

{Trailermand Trailers, Inc. reserves the right to make changes to the standard features at any time without notification.}

Updated: 3/2009