

Model # SST7016N10

Skid Steer Hauler

80" x 16' Flat



(2) 6K 6-Hole 4" Drop E-Z Lube Elec. Axles
ST225-75R-15" 8-PR Tires on 6-Hole Wheel
2 5/16" Adj. Coupler or Pintle Eye
Spring Asstd. Stand Up Ramps w/Knees

Diamond Plate Fenders & Backs
Sealed Wire Harness w/ 7-Way Light Plug
Rubber Mounted Waterproof Lights
Stake Pockets & (4) Weld on D-Rings

HD Safety Chains
2" Treated Lumber Floor
SL Dropleg Jack (12K)
Break-A-Way Kit

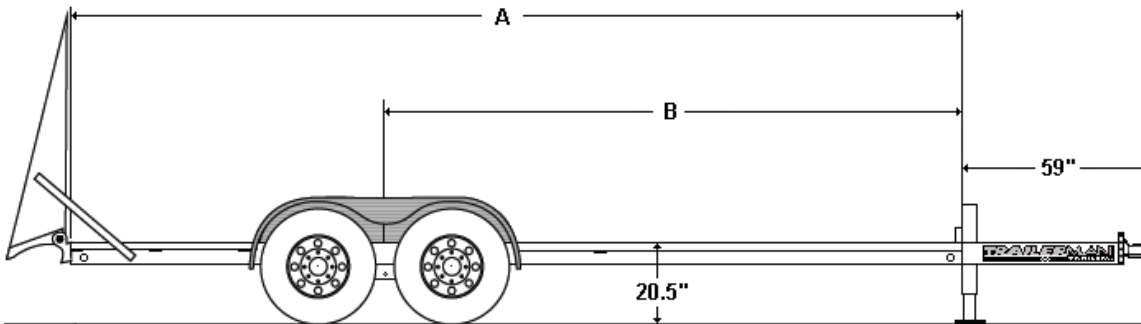
(Ship Wt.: 2,890# GAWR: 10,160# GVWR: 10,160#)

MAINFRAME: 6 x 4 x 3/8" Angle

TONGUE: 6" Channel

CROSS MEMBERS: 3" Channel

CENTERS: 16"



Measurements		
Length	A	B
12	144	92
14	168	107
16	192	123
18	216	128
20	240	153



Rubber Mtd. Waterproof Lights - Standard!



Spring Assisted Ramps - Standard!

SKID STEER OPTIONS

6,000# 8-Hole EZ Lube Axle Pkg.	Surge Brakes	Mesh Tool Tray in Tongue	Weld on D-Rings
7,000# EZ Lube Axle Pkg.	Gooseneck Option	ST225-75R-15" Spare Mtd.	L.E.D. Light Pkg. Upgrade
12' - 20' Lengths	Winch Plate	ST235-80R-16" Spare Mtd.	4' Tall HD 2 pc Mesh Gate w/Knees
1/8" Diamond Plate Steel Floor	Fork Carriers	Spare Tire Carrier Only	Taller Bump Rail in Front
		Mesh on Ramps	Std. Colors: Black, Red, Gray (Other Colors Optional)

MANY OTHER OPTIONS ARE AVAILABLE –VISIT OUR WEBSITE TO FIND AN AUTHORIZED TRAILERMAN® DEALER:

www.trailertrailer.net

{Trailertrailer Trailers, Inc. reserves the right to make changes to the standard features at any time without notification.}