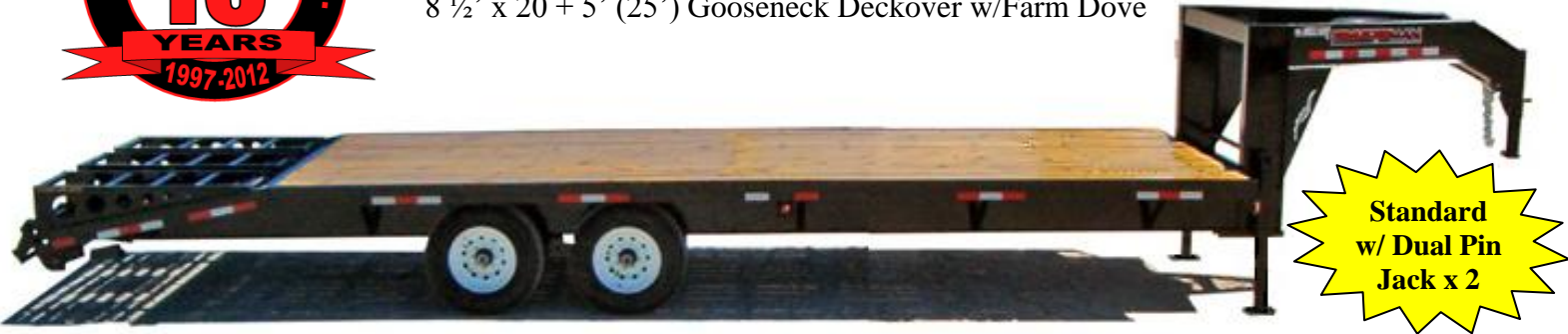




Model# HHG8205F14

The "HIRED HAND®" Single Wheel
8 1/2' x 20 + 5' (25') Gooseneck Deckover w/Farm Dove



Standard
w/ Dual Pin
Jack x 2

EQUIPMENT DOVE



Transport position (shown w/optional 3rd ramp)



Loading position (shown w/optional 3rd ramp)

FARM DOVE



Transport position



Loading position

RANCH DOVE



Transport position



Loading position



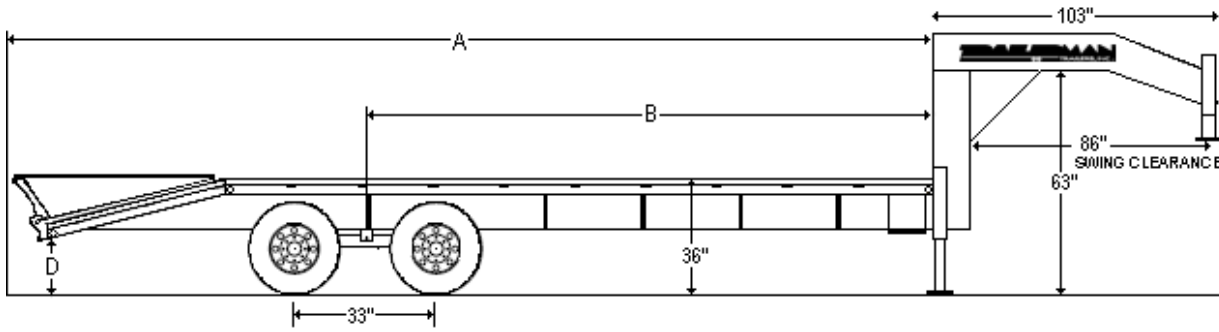
The "HIRED HAND®" Single Wheel

20 + 5' x 8 1/2' Gooseneck Deckover w/Farm Dove

- | | | |
|---|------------------------------|---|
| (2) 7K EZ Lube Elec. Axles | Break-A-Way Kit | 2" Treated Lumber Floor |
| ST235-80R-16" 10-PR Tires on 8-Hole Wheel | Assist Step w/Handle x 2 | Spare Tire & Wheel Mtd. On Trlr. |
| (2) Dual Pin S.L. Dropleg Jacks (12K) | HD Safety Chains | Lockable Lid on Tool Tray b/t Jacks |
| 5' Self Cleaning Dove (a/k/a Farm Dove) | 2 5/16" Adj. Coupler | Mud Flaps |
| L.E.D. Rubber Mounted Sealed Lights | Stake Pockets on 16" Centers | Sealed Wire Harness w/ 7-Way Light Plug |
| (3) 5' Solid Side Level Bed Double Swivel Spring Asstd. Ramps | | Rub Rail 2" |

(Ship Wt.: 5,210# GAWR: 14,000# GVWR: 14,000#)

MAINFRAME & NECK: 12"-14 # I-Beam **CROSS MEMBERS:** 3" Channel on 24" Centers



Measurements when equipped with 5' dove tail		
Length	A	B
16	192	120
18	216	136
20	240	151
22	264	166
24	288	182
25	300	188
26	312	197
28	336	212
30	360	226
32	384	242
34	408	257
36	432	272
38	456	287
40	480	302
42	504	317
44	528	332

All measurements are approximate

DOVE TAIL OPTIONS

D	Dove Tail	Description
16"	F arm	3 Spg Asstd 5' Level Bed Ramps w/Hay Blocks
16"	R anch	2 Spg Asstd 5' Level Bed Ramps and Pop-Up Center Piece w/Hay Blocks
13"	E quipment *	2 Spg Asstd 5' Level Bed Ramps (3 rd Ramp Optional)
21"	N one	Flat Deck has No Dove Tail and No Ramps

*Designed Specifically for Heavy and Track Equipment

HIRED HAND® OPTIONS

20' to 44' Lengths (note: 35' to 44'; includes Torque Tube)	8' x 6' Top Deck over Gooseneck
Tongue Pull with Pintle Eye (has Tool Tray)	Mesh In Neck
Tongue Pull with 2 5/16" Coupler (25K)	Winch Plate
Electric-Over-Hydraulic Brakes	
3 rd 7K EZ Lube Axle - 19# Beam w/ 16" Centers	(1) 2 Speed D.L. Jack (12K)
2-8K EZ Lube Electric Axles w/LT215-17.5" LRH Tires	Twin 2-Speed D.L. Jacks (24K)
3 rd Level Bed Spring Assisted Equipment Ramps	Twin 2-Speed Semi-Type Landing Gear w/Swivel Foot (50K)
Add Solid Plate to the Existing Ramps (Spg Asstd Both Ways)	LT235-85R-16" LRG 14-PR Tires
8' Slide in Rear Store Ramps	Less Dove Tail and Ramps

VISIT OUR WEBSITE TO FIND AN AUTHORIZED TRAILERMAN® DEALER: www.trailertrailer.net

{Trailertrailer, Inc. reserves the right to make changes to the standard features at any time without notification.}