

**Pierced Frame  
Option**

**Model# HHG8205F20**  
The "HIRED HAND®" Dual Wheel  
20 + 5' x 8 ½' Gooseneck Deckover w/Farm Dove



### EQUIPMENT DOVE

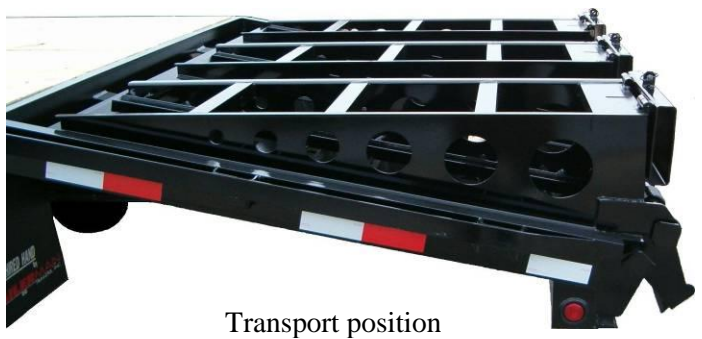


Transport position (shown w/optional 3<sup>rd</sup> ramp)



Loading position (shown w/optional 3<sup>rd</sup> ramp)

### FARM DOVE



Transport position



Loading position

### RANCH DOVE



Transport position



Loading position

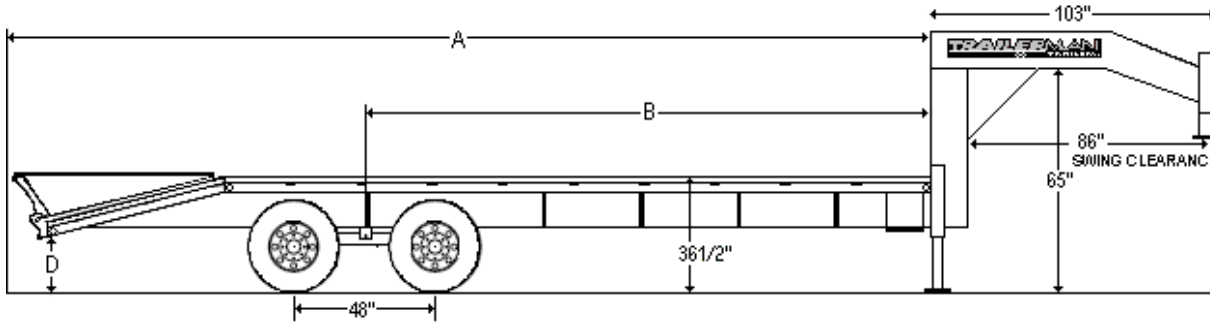


# The “HIRED HAND®” Dual Wheel 20 + 5’ x 8 ½’ Gooseneck Deckover w/Farm Dove

- |   |  |                         |
|---|--|-------------------------|
| (2) 10K Elec. Axles; Oil Bath (12 1/4” x 3 3/8”)          | Sealed Wire Harness w/ 7-Way Light Plug  | 2” Treated Lumber Floor |
| ST235-80R-16” 10-PR Tires on Dual Wheels                  | L.E.D. Rubber Mounted Waterproof Lights  | Break-A-Way Kit         |
| 2 5/16” Adj. Coupler                                      | Spare Tire & Wheel Mtd. on Trailer       | Mud Flaps               |
| (2) Dual Pin S.L. Dropleg Jacks (12K)                     | Stake Pockets on 16”Centers & 2”Rub Rail | Assist Step w/Handle    |
| 5’ Self Cleaning Dove (a/k/a Farm Dove)                   | Lockable Tool Box b/t Jacks              | HD Safety Chains        |
| (3) 5’ Solid Side Level Bed Double Swivel Spg Asstd Ramps |  |                         |

(Ship Wt.:6,250# GAWR: 20,000# GVWR: 20,000)

**MAINFRAME & NECK:** 12” 19# per foot I-Beam    **CROSS MEMBERS:** 3” Channel    **CENTERS:** 16”



Measurements <i>when equipped with 5' dove tail</i>		
Length	A	B
16	192	120
18	216	136
20	240	151
22	264	166
24	288	182
25	300	188
26	312	197
28	336	212
30	360	226
32	384	242
34	408	257
36	432	272
38	456	287
40	480	302
42	504	317
44	528	332

DOVE TAIL OPTIONS		
D	Dove Tail	Description
16”	<b>F</b> arm	3 Spg Asstd 5’ Level Bed Ramps w/Hay Blocks
16”	<b>R</b> anch	2 Spg Asstd 5’ Level Bed Ramps and Pop-Up Center Piece w/Hay Blocks
13”	<b>E</b> quipment *	2 Spg Asstd 5’ Level Bed: Ramps (3 <sup>rd</sup> Ramp Optional)
21”	<b>N</b> one	Flat Deck has No Dove Tail and No Ramps

\*Designed Specifically for Heavy and Track Equipment

*All measurements are approximate*

HIRED HAND® OPTIONS	
20’ to 44’ Lengths (note: 35’to 44’; includes Torque Tube)	LT235-85R-16” LRG 14-PR
Tongue Pull with Pintle Eye (Has Tool Tray)	Mesh In Neck
Tongue Pull with 2 5/16” Adjustable Coupler (24K)	Less Dove Tail and Ramps
10,000# Electric HD Axles w/4” Brake & 3” Wide Spring	Electric-Over-Hydraulic Brakes ps
12,000# Electric Axles includes 22# Beam	Winch Plate
3 <sup>rd</sup> Level Bed Spring Assisted Equipment Ramp	8’ Slide in Rear Store Ramps
Peirced Frame with Plate Over Wheels (Lower Deck 4”)	Twin 2-Speed D.L. Jacks (24K)
Add Solid Plate to the Existing Ramps (Spg Asstd Both Ways)	Twin 2-Speed SL Dropleg Jacks w/ Electric Motor & Battery (24K)
Make Ramps Spring Asstd. Both Ways	Twin 2-Speed Semi-Type Landing Gear w/Swivel Foot (50K)

VISIT OUR WEBSITE TO FIND AN AUTHORIZED TRILERMAN® DEALER: [www.trailertrailer.net](http://www.trailertrailer.net)

{Trailertrailer, Inc. reserves the right to make changes to the standard features at any time without notification.}